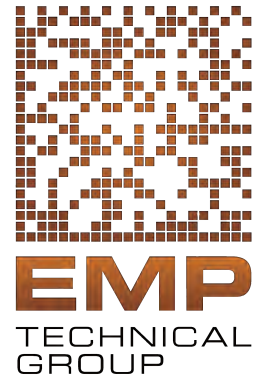


EMP Product



Printer Stand

Easy Slide Trays

- Ability to extend each printer out 5"
- Makes media changes quick and easy
- Avoid removing the door in tight spaces
- Lower media tray for easy access storage

Small Footprint

- Reduces the footprint of two printers by half
- Better use of floor space
- 13.5 x 20 x 2.5", extends to 18"
- Fits into crowded production environments

Pre-drilled Floor Mounts

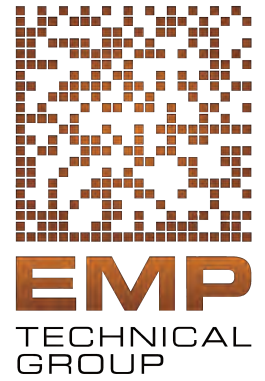
- Securely mounts to the floor
- Easy to install

Industrial Coating

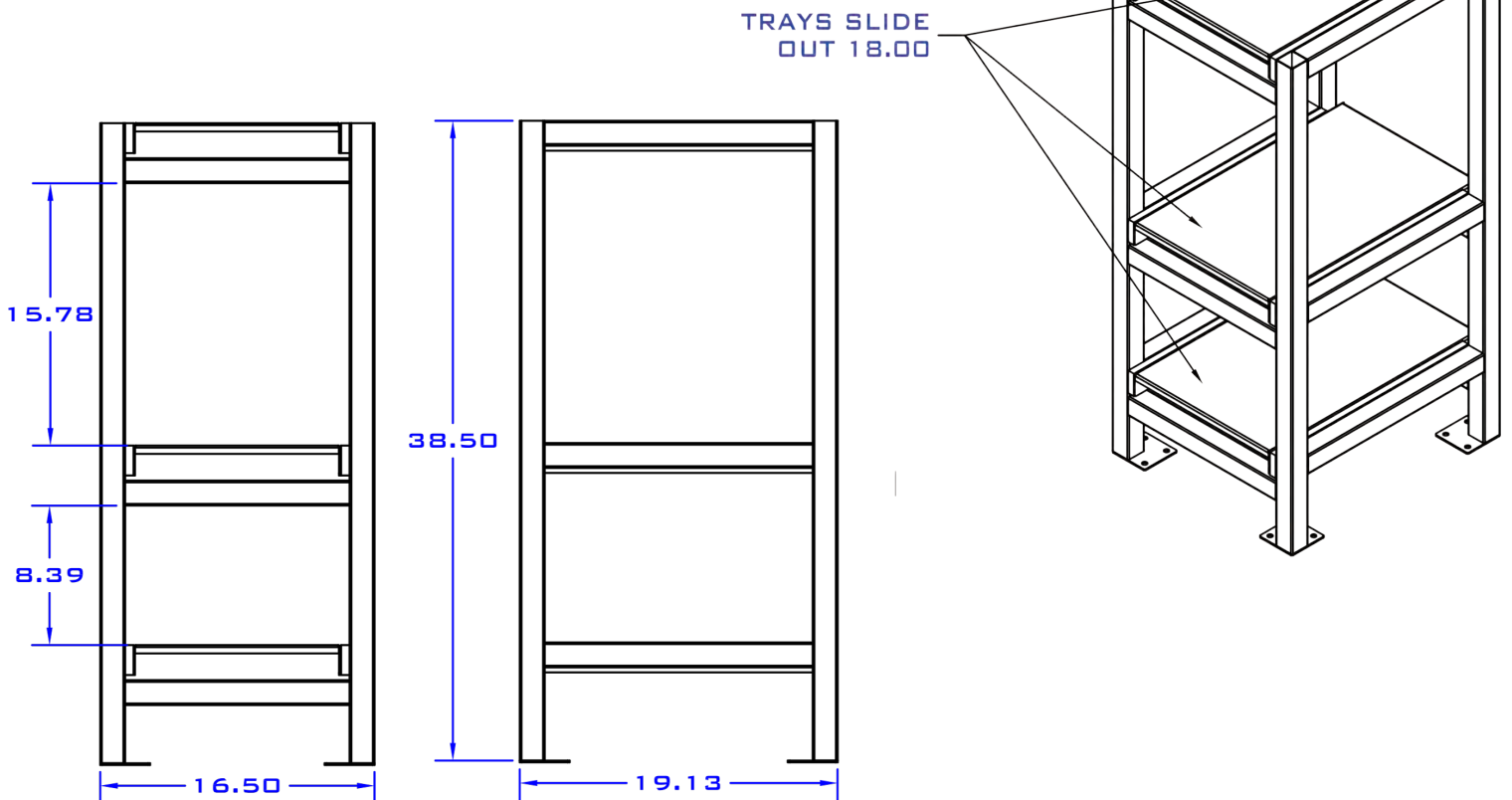
- Hardened powder coat
- Withstands harsh environments
- Easy to clean



EMP Product



Printer Stand



EMP Technical Group
sales@emptechgroup.com
www.emptechgroup.com

17450 Tiller Court
Westfield, IN 46074
317-776-6700